




- Tuscan™ Pedestal Lavatory.
- Decorative and traditional design.
- Styled to coordinate with the B833.
- Available in 4" and 8" centers and with 1 hole configuration.
- Available in White, Ivory Bone and Cashmere.
- All Western products are IAPMO tested and meet or exceed  standards.

For more information please contact us toll-free:

**877-WPWORKS (979-6757)**

US Sales and Service

**Phone 562.229.0910 • Fax 562.229.0930**

**[www.westernpottery.com](http://www.westernpottery.com) • Email: [info@westernpottery.com](mailto:info@westernpottery.com)**

14405 Best Avenue • Norwalk, California 90650

# L233

## PHYSICAL PROPERTIES

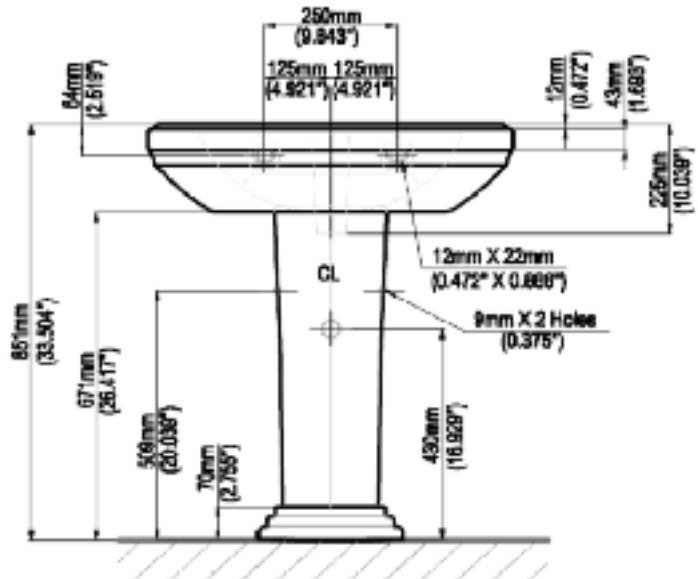
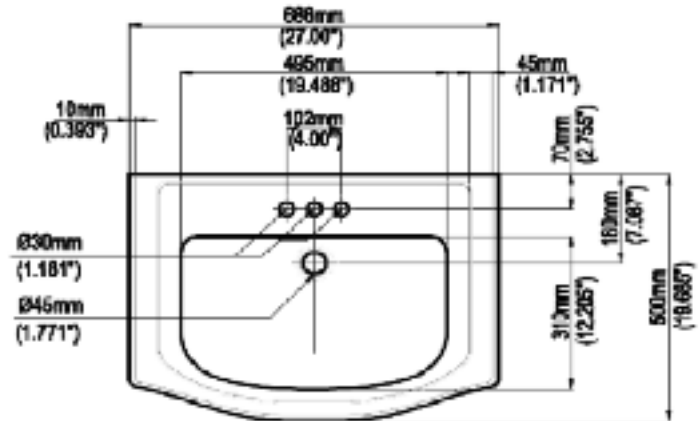
Model: **L233**  
Tuscany Pedestal Lavatory

Width: **27.00" x 19.65"**  
(686mm x 500mm)

Depth: **10.03"** (225mm)

Shipping Weight: **40 lbs.** (29.9kg) Lav  
**29.76 lbs.** (13.5kg) Ped

Shipping Cube: **2.72 ft.** (0.80m) Lav  
**1.76 ft.** (0.05m) Ped



IMPORTANT: These dimensions are nominal and vary within the range of tolerances established by ASME standard A112.19.2