




- Elongated bowl.
- Sani-Glazed™ trapway gives years of sanitary, trouble free use.
- Full size water surface and seal for a clean and sanitary bowl.
- Quick-Install™ tank to bowl fittings speed installation and helps reduce potential leaks.
- Front mount polished chrome handle.
- Available in White, call for color availability.
- Seat not included.
- All Western products are IAPMO tested and meet or exceed  standards.

With Western the water savings are significant and maintenance is minimal.

*Our customers tell us it's
"The Best Flushing Toilet in America!"*

For more information please contact us toll-free:

877-WPWORKS (979-6757)

US Sales and Service

Phone 562.229.0910 • Fax 562.229.0930

www.westernpottery.com • Email: info@westernpottery.com

14405 Best Avenue • Norwalk, California 90650

CLO-1152

1.6 gpf

PHYSICAL PROPERTIES

Model: **CLO-1152 - 1.6 gpf**

Water Surface: **9.00" x 7.00"**
(229mm x 179mm)

Water Seal: **3.00"** (76mm)

Trapway Ball Pass: **1.89"** (48mm)

Trapway Diameter: **2.00"** (51mm)

Water Consumption: **1.6 gpf / 6.0 lpf**

Shipping Weight: **97 lbs** (44.1kg)

Shipping Cube: **6.23 ft** (0.18m³)

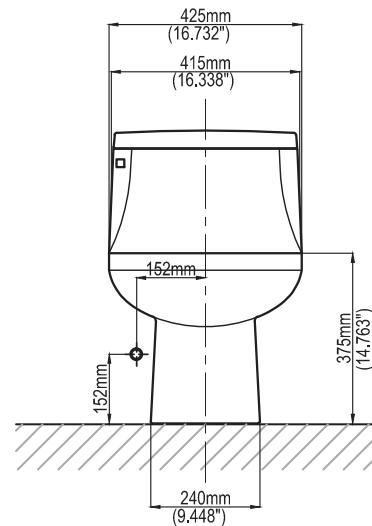
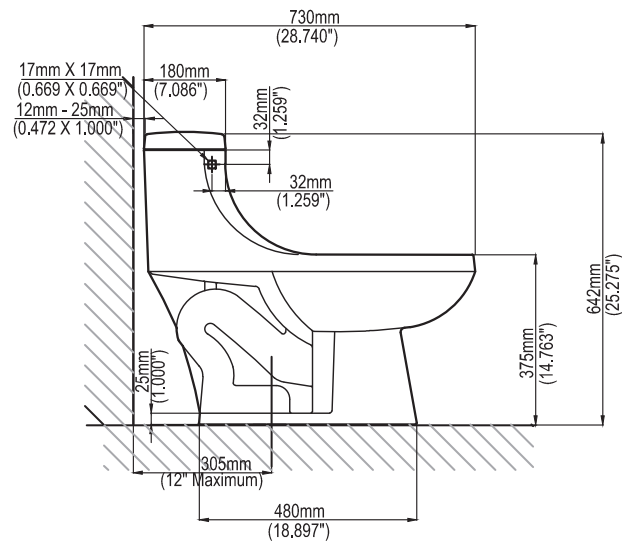
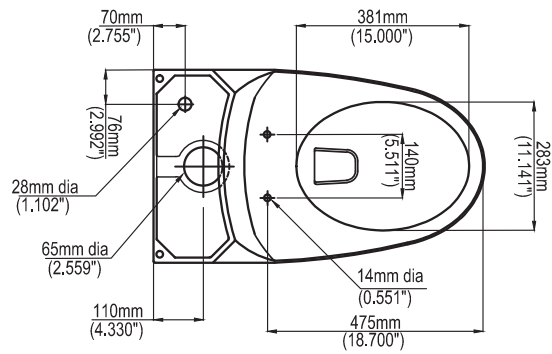
Minimum Rough-in: **11.00"** (280mm)

Fill Valve: **M-0612P**

Flush Valve: **M-FV61P**

Tank Lever: **E1152-C-S**

Flapper No: **M-FLA-B-0**



IMPORTANT: These dimensions are nominal and vary within the range of tolerances established by ASME standard A112.19.2.