




- Elongated bowl.
- Oval tank design, lower profile installation.
- Sani-Glazed™ trapway gives years of sanitary, trouble free use.
- Full size water surface and seal for a clean and sanitary bowl.
- Quick-Install™ tank to bowl fittings speed installation and helps reduce potential leaks.
- Front mount color matched handle.
- Available in White, Ivory Bone and Cashmere.
- Seat not included.
- All Western products are IAPMO tested and meet or exceed  standards.

With Western the water savings are significant and maintenance is minimal.

*Our customers tell us it's
"The Best Flushing Toilet in America!"*

For more information please contact us toll-free:

877-WPWORKS (979-6757)

US Sales and Service

Phone 562.229.0910 • Fax 562.229.0930

www.westernpottery.com • Email: info@westernpottery.com

14405 Best Avenue • Norwalk, California 90650

B832 / T5ULF

1.6 gpf

PHYSICAL PROPERTIES

Model: **B832 / T5ULF**

Water Surface: **8.25" x 10.43"**
(209mm x 265mm)

Water Seal: **2.68" (68mm)**

Trapway Ball Pass: **2.00" (51mm)**

Trapway Diameter: **2.00" (51mm)**

Water Consumption: **1.6 gpf / 6.00 lpf**

Shipping Weight: **49.6 lbs (22.5kg) bowl**
42.9 lbs (19.5kg) tank

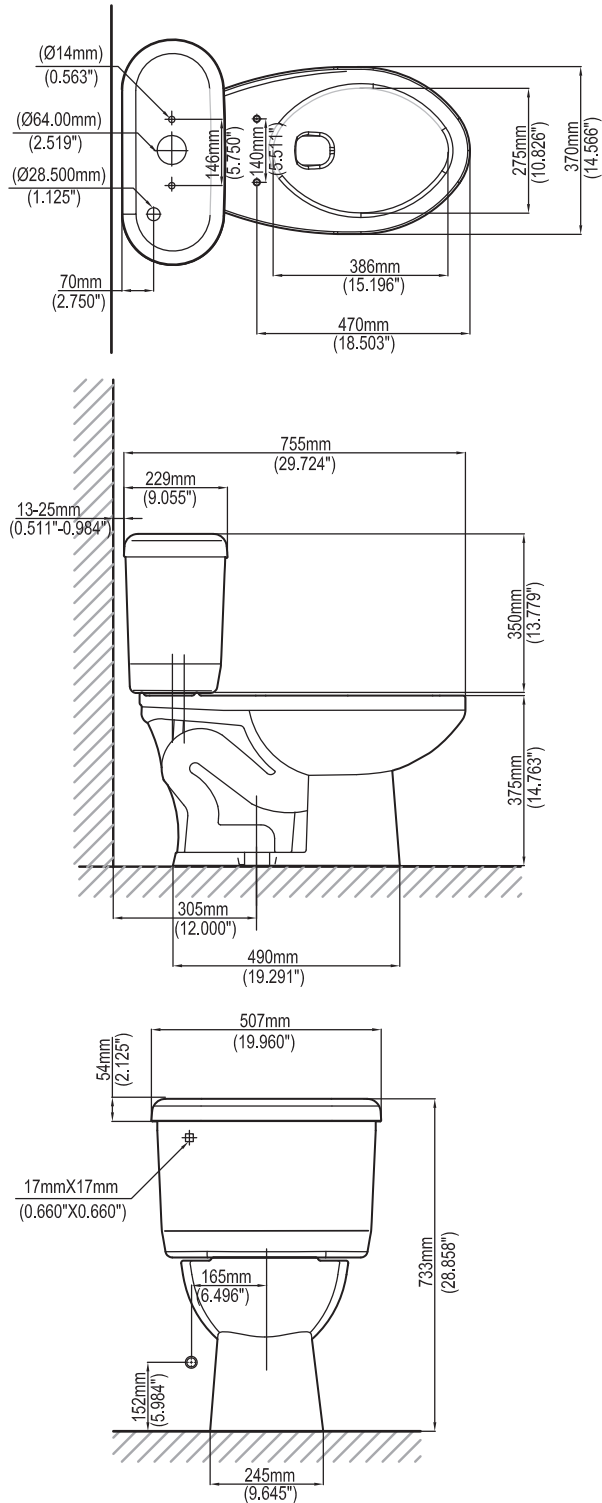
Shipping Cube: **4.39 ft (0.12m³) bowl**
1.47 ft (0.04m³) tank

Minimum Rough-in: **11.00" (280mm)**

Fill Valve: **A1241020108**

Flush Valve: **A2101014**

Tank Lever: **A520403**



IMPORTANT: These dimensions are nominal and vary within the range of tolerances established by ASME standard A112.19.2.



For more information please contact us toll-free:

877-WPWORKS (979-6757)

www.westernpottery.com • Email: info@westernpottery.com