




- Round front bowl.
- Up to 40% water savings over conventional 1.6 gpf toilets.
- Sani-Glazed™ trapway gives years of sanitary, trouble free use.
- Full size water surface and seal for a clean and sanitary bowl.
- Quick-Install™ tank to bowl fittings speed installation and helps reduce potential leaks.
- Front mount polished chrome handle.
- Also available with 10" & 14" rough-in.
- Available in White, Ivory Bone and Cashmere.
- Seat not included.
- All Western products are IAPMO tested and meet or exceed  standards.
- Certified by IAPMO to meet or exceed the EPA WaterSense standards.

With Western the water savings are significant and maintenance is minimal.

Our customers tell us it's
"The Best Flushing Toilet in America!"



For more information please contact us toll-free:
877-WPWORKS (979-6757)
 US Sales and Service
Phone 562.229.0910 • Fax 562.229.0930
www.westernpottery.com • Email: info@westernpottery.com
 14405 Best Avenue • Norwalk, California 90650

B832 / T8ULF-HET

1.28 gpf

PHYSICAL PROPERTIES

Model: **B832 / T8ULF-HET**

Water Surface: **8.22" x 10.43"**
(209mm x 265mm)

Water Seal: **2.55"** (66mm)

Trapway Ball Pass: **2.00"** (50mm)

Trapway Diameter: **2.00"** (51mm)

Water Consumption: **1.28 gpf / 4.80 lpf**

Shipping Weight: **49.6 lbs** (22.0kg) **bowl**
28.4 lbs (12.9kg) **tank**

Shipping Cube: **3.63 ft** (0.12m³) **bowl**
1.47 ft (0.04m³) **tank**

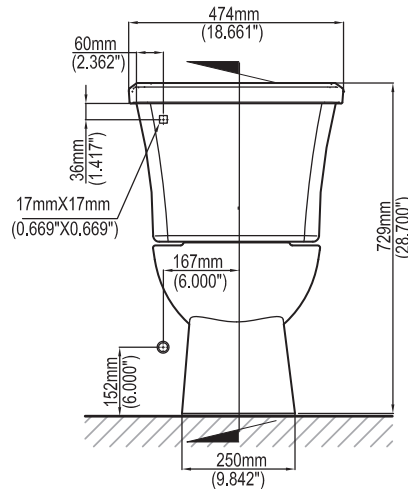
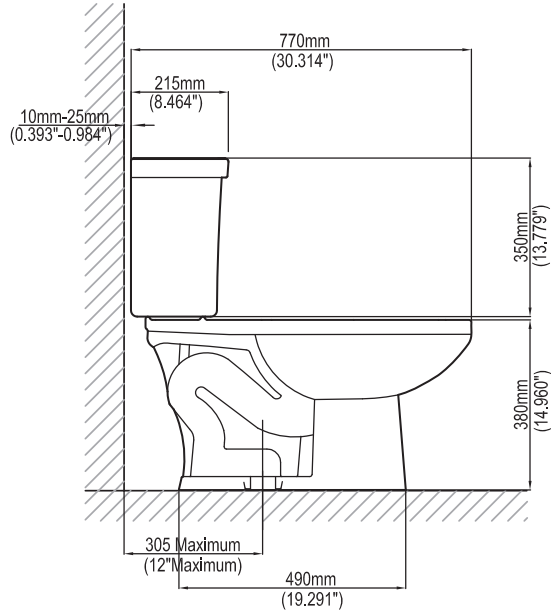
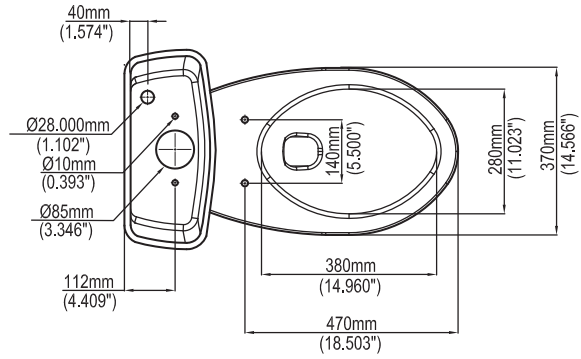
Minimum Rough-in: **11"** (254mm)

Fill Valve: **A1251061**

Flush Valve: **A2103**

Tank Lever: **A5103**

Flapper No: **RA2102010000**



IMPORTANT: These dimensions are nominal and vary within the range of tolerances established by ASME standard A112.19.2.



For more information please contact us toll-free:
877-WPWORKS (979-6757)

www.westernpottery.com • Email: info@westernpottery.com